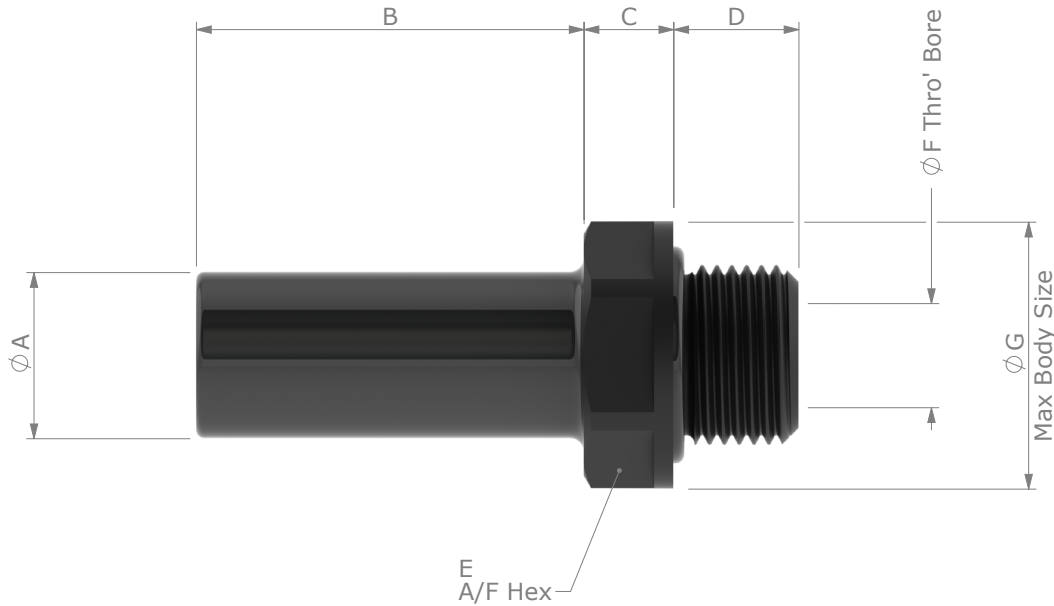


**Stem Adaptors BSP**

The John Guest range of Stem Adaptors are suitable for applications involving foodstuffs, potable liquids, air & inert gases.

For Tapered Thread versions, see sheet 3



See Sheet 2 for Dimensions

Dimensions in mm

**Parts List**

Part Description	Material	Part Description	Material
Body	Acetal Copolymer (Unfilled), Black	Thread Seal (BSP Only)	Nitrile, Black

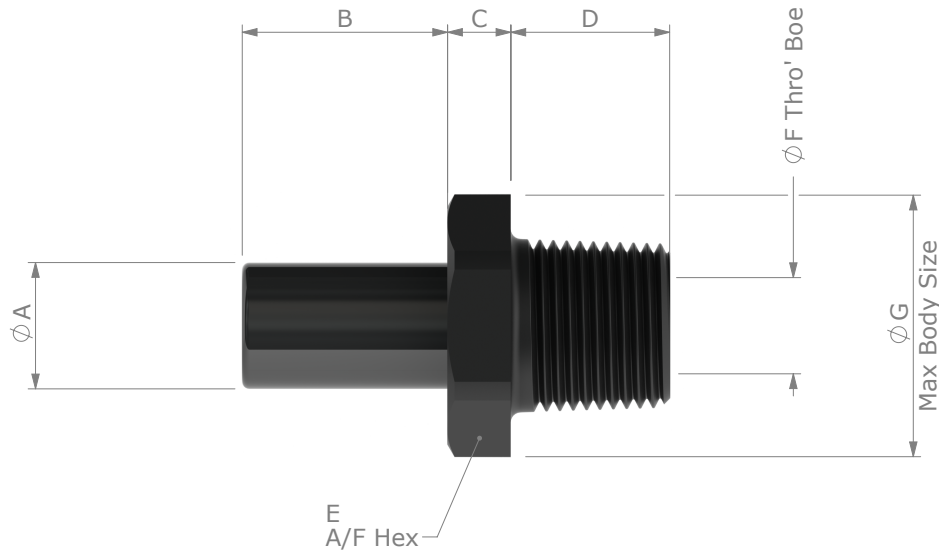
**Technical Information**

Working Pressures & Temperatures				Applications
Potable Liquids & Air	4mm to 8mm	10mm to 22mm		Drinks Dispense ✓
1°C	16bar	10bar		Potable Liquid ✓
20°C	16bar	10bar		Pneumatics ✓
65°C	10bar	7bar		
Air				
-20°C	16bar	10bar		
Max Torque Threads	1/8 - 1/4 1.5Nm	3/8 - 1/2 3.0Nm	3/4 4.0Nm	

Product No.	Size	A Stem O/D	B	C	D	E	F	G
PM050411E	4mm x 1/8 BSP	4.0	12.3	7.9	5.5	14.0	2.5	15.4
PM050412E	4mm x 1/4 BSP			8.4	8.0	17.0	2.5	18.3
PM050511E	5mm x 1/8 BSP	5.0	12.3	7.9	5.5	14.0	3.4	15.4
PM050512E	5mm x 1/4 BSP			8.4	8.0	17.0	3.4	18.3
PM050611E	6mm x 1/8 BSP	6.0	13.8	7.9	5.5	15.0	4.1	15.8
PM050612E	6mm x 1/4 BSP			8.4	8.0	17.0	4.1	18.3
PM050811E	8mm x 1/8 BSP	8.0	15.0	7.9	5.5	17.0	4.1	17.8
PM050812E	8mm x 1/4 BSP			8.4	8.0	17.0	5.6	18.3
PM050813E	8mm x 3/8 BSP			8.1	9.3	22.0	5.6	24.1
PM051012E	10mm x 1/4 BSP	10.0	17.8	8.4	8.0	20.0	7.1	21.8
PM051013E	10mm x 3/8 BSP			8.1	9.3	22.0	7.0	24.1
PM051014E	10mm x 1/2 BSP			8.4	12.5	27.0	7.1	29.8
PM051213E	12mm x 3/8 BSP	12.0	22.4	8.1	9.3	24.0	8.6	26.4
PM051214E	12mm x 1/2 BSP			8.4	12.5	27.0	8.6	29.8
PM051513E	15mm x 3/8 BSP	15.0	35.0	8.1	11.3	22.0	9.4	24.1
PM051514E	15mm x 1/2 BSP			8.4	14.5	27.0	10.0	29.8
PM051814E	18mm x 1/2 BSP	18.0	40.0	8.4	14.5	27.0	11.7	29.8
PM052214E	22mm x 1/2 BSP	22.0	42.0	8.4	14.5	27.0	12.1	29.8
PM052216E	22mm x 3/4 BSP			10.0	17.0	37.0	17.0	40.0

**Stem Adaptors Tapered Thread**

For BSP versions, see sheets 1-2



Product No.	Size	A Stem O/D	B	C	D	E	F	ØG
PM050401E	4mm x 1/8 BSPT	4.0	12.3	6.4	10.2	15.0	2.5	16.7
PM050402E	4mm x 1/4 BSPT				11.2	17.0	2.5	18.3
PM050501E	5mm x 1/8 BSPT	5.0	12.3	6.4	10.2	15.0	3.4	16.7
PM050502E	5mm x 1/4 BSPT				11.2	17.0	3.4	18.3
PM050601E	6mm x 1/8 BSPT	6.0	13.8	6.4	10.2	17.0	4.1	18.3
PM050602E	6mm x 1/4 BSPT				11.2	17.0	4.1	18.3
PM050801E	8mm x 1/8 BSPT	8.0	15.0	6.4	10.2	17.0	4.1	18.3
PM050802E	8mm x 1/4 BSPT				11.2	17.0	5.6	18.3
PM050803E	8mm x 3/8 BSPT				12.7	20.0	4.6	21.8
PM051002E	10mm x 1/4 BSPT	10.0	17.8	6.4	11.2	20.0	7.1	21.8
PM051003E	10mm x 3/8 BSPT				12.7	20.0	7.1	21.8
PM051004E	10mm x 1/2 BSPT				16.0	22.0	7.1	24.1
PM051203E	12mm x 3/8 BSPT	12.0	22.0	7.2	12.7	24.0	8.6	26.3
PM051204E	12mm x 1/2 BSPT			6.4	16.0	24.0	8.6	26.3